

---

---

# Drafting and engineering portfolio

JADEN WRIGHT  
MAY/16/2018  
4<sup>TH</sup> BLOCK

---

---

# Table of contents

- Slides 1 and 2 – Title page and table of contents
- Slide 3 – Bio and resume
- Slide 4 – Safety and tools
- Slide 5 – Board drawing examples
- Slide 6 – Freehand sketching
- Slide 7 – CAD
- Slide 8 – Inventor
- Slide 9 – Revit

# BIO AND RESUME

Jaden delaine wright

## Contact information

Address: 2210 morning ct Acworth ga 30102

Phone: 678 200 5472

Email: jadenw2411@icloud.com

## EXPERIENCE

---

### BABYSITTER

I babysit my cousin. She is down syndrome so I have to pay extra attention to her and help her do basic things a 8 year old should be able to do like eat, use the bathroom and sit up by herself.

## EDUCATION

---

### FRESHMAN • NORTH COBB HIGH SCHOOL • KENESAW GA

This year I have taken honors biology, foundations engineering and am taking foundations drafting/design and Portuguese I. Last year I took Spanish I giving me an extra credit for high school. My GPA at the moment is a 3.7

## VOLUNTEER EXPERIENCE OR LEADERSHIP

---

### Mt Zion church • north freshman leadership team

I volunteer at my church Mt.Zion, Every third Sunday me and my sister go and cook chicken and waffles for everyone at the service. I am also in the leadership team for freshman at north cobb. We participate and help plan fundraisers and school events.

## SKILLS

---

I am fairly skilled on a computer I have writing skills and teamwork skills

# SAFETY AND TOOLS

In class we took 2 safety test below are the results of both.

Final score 9/10 90/100

Pre test results

Submission #	Started	Completed
1	2/15/18 2:14pm	2/15/18 2:18pm
2	2/15/18 2:19pm	2/15/18 2:20pm

Test results

Final score 15/15 100/100

Submission #	Started	Completed
1	1/12/18 2:05pm	1/12/18 2:10pm

The following technical drawing tools listed below are some of the tools I used in my board drawings.



The compass is a technical drawing tool used to create circles or arcs and or to measure distance.

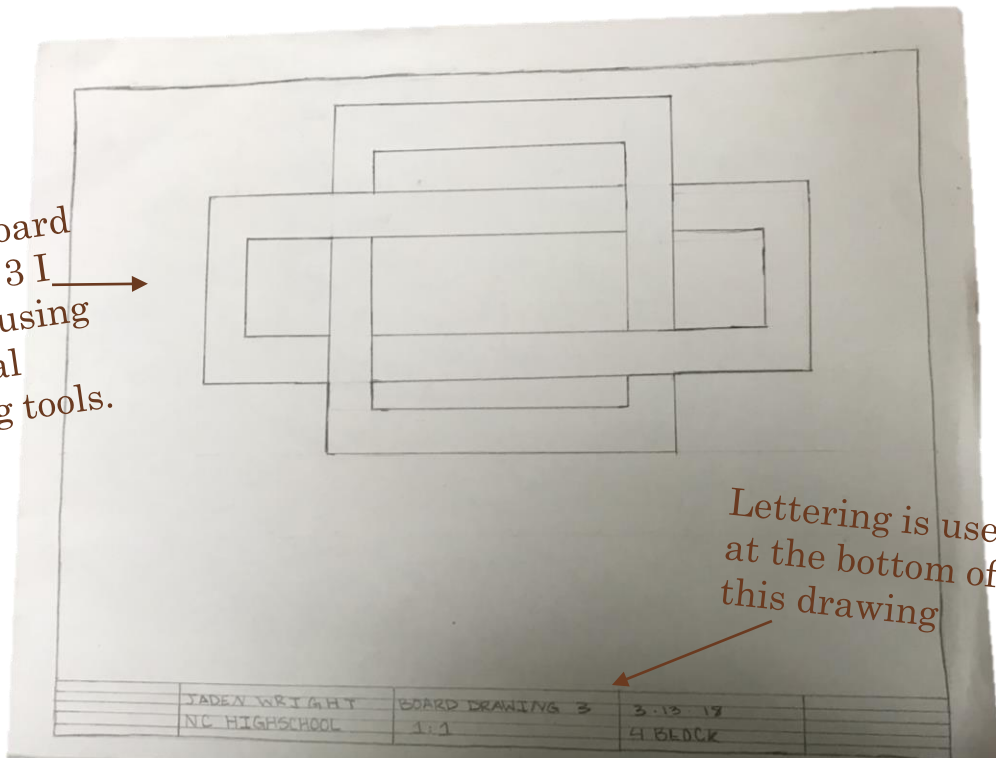


An architect ruler is a ruler designed to help the measuring process when creating an architectural drawing.

# BOARD DRAWING

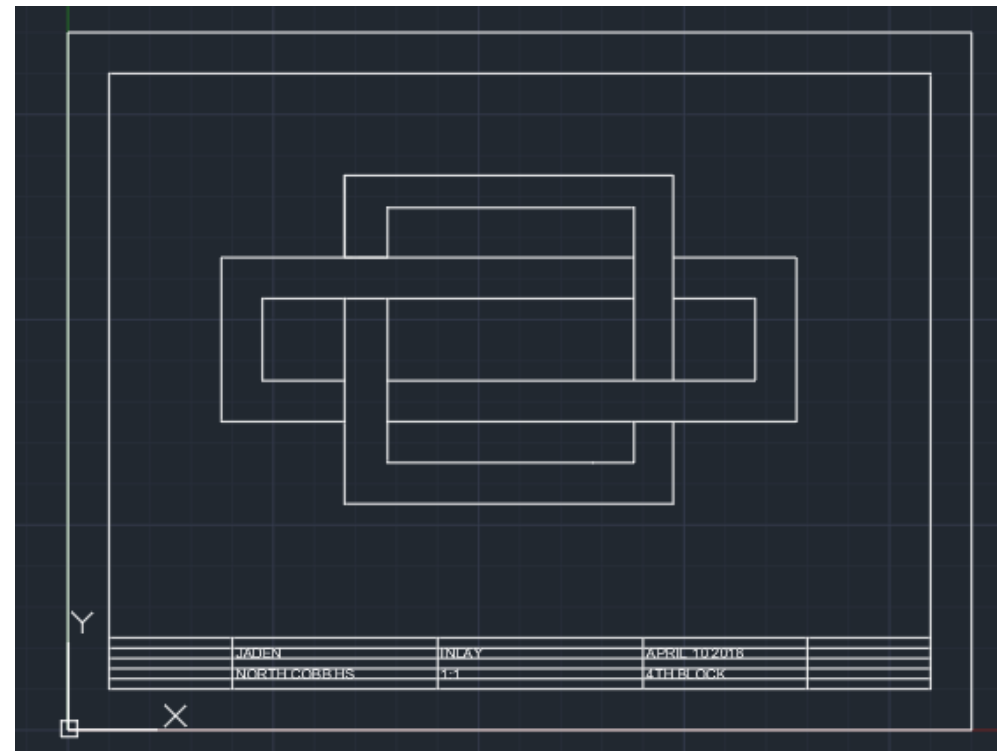
Board drawing is the act of making drawings that show how something functions or is to be built.

This is board drawing 3 I created using technical drawing tools.



Lettering is used at the bottom of this drawing

Board drawings are created using technical drawing tools and a drawing board.



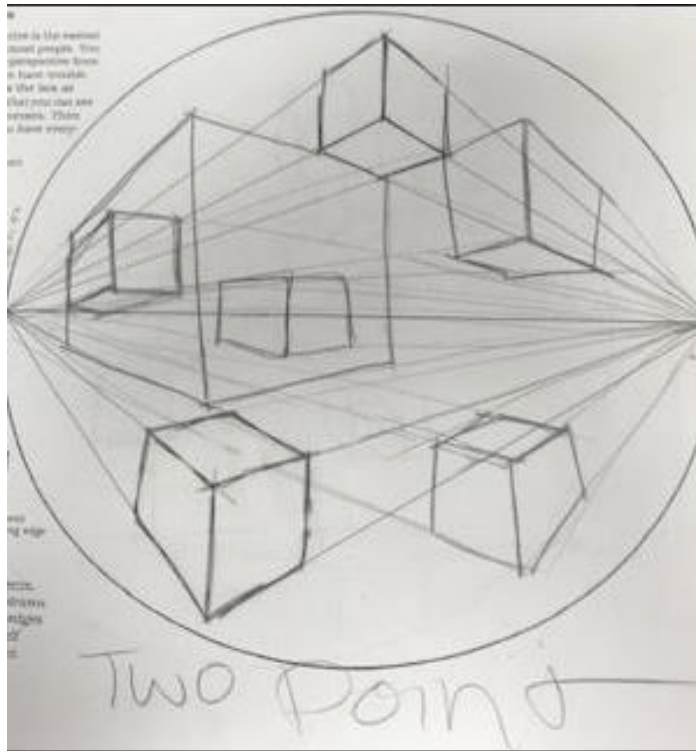
Electronic version of board drawing 3 created using CAD.

# FREEHAND SKETCHING

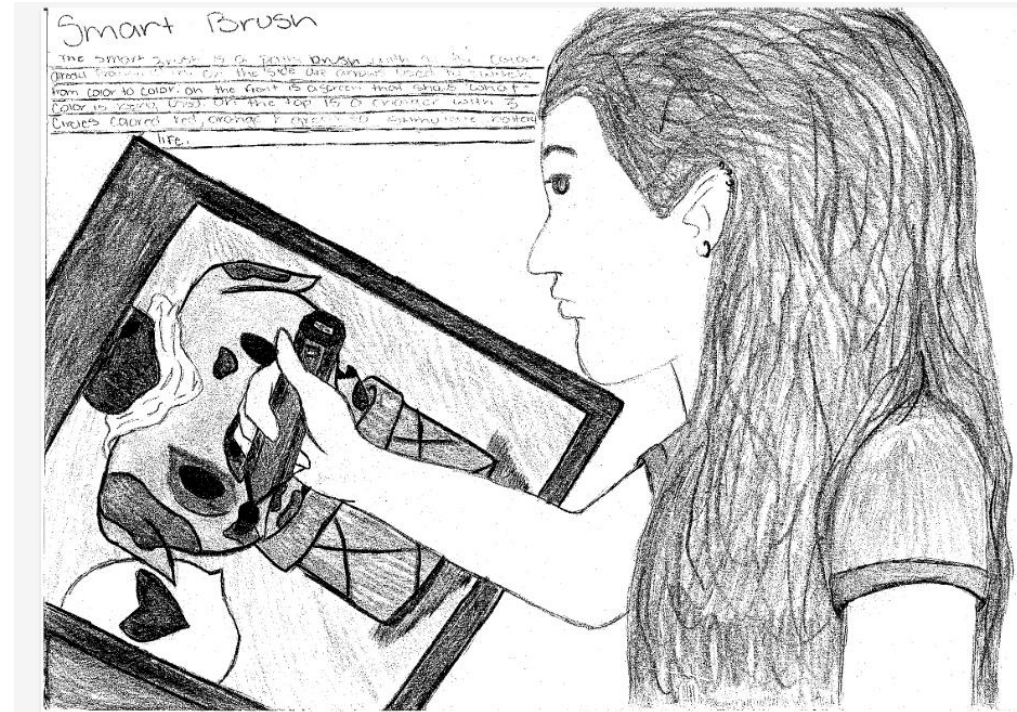
Free hand sketching is drawing without using measuring tools or anything else to help complete artwork.

The following picture is boxes from two point perspective. →

Two-point perspective is when you can see two vanishing points from your point of view.



The picture below is a conceptual free hand drawing of a fake invention called the smart brush. ↓



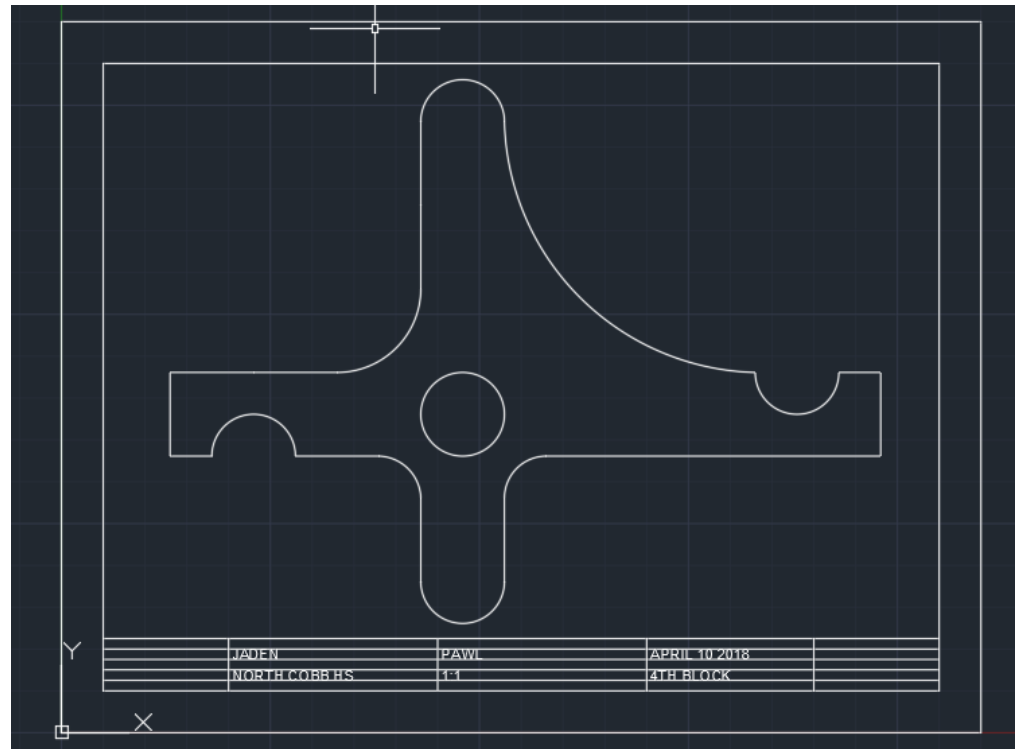
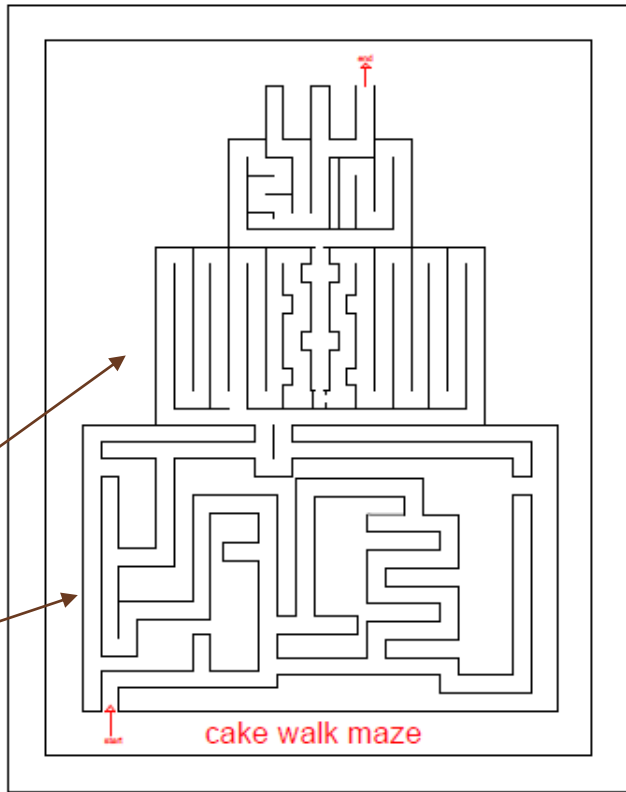
# CAD

Auto CAD is an easy to use application that you can create 2D and 3D drawings on.

Using CAD I crated a electronic version of board drawing 8.

I received a 97 for this project.

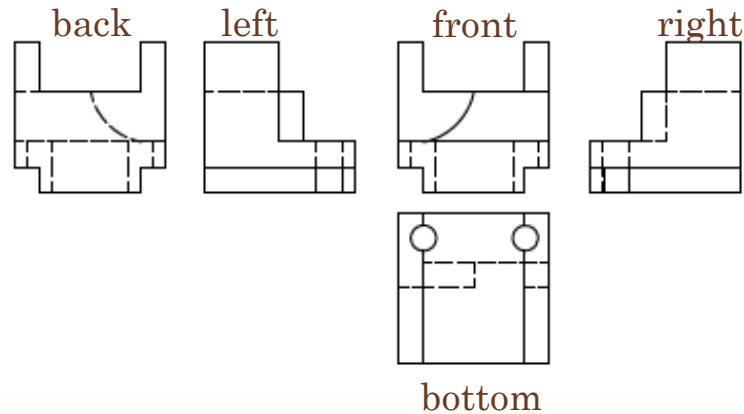
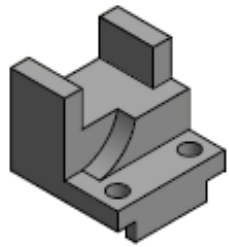
There are 2 different types of maze layouts within the maze.



On the paper version of this assignment I received a 88.

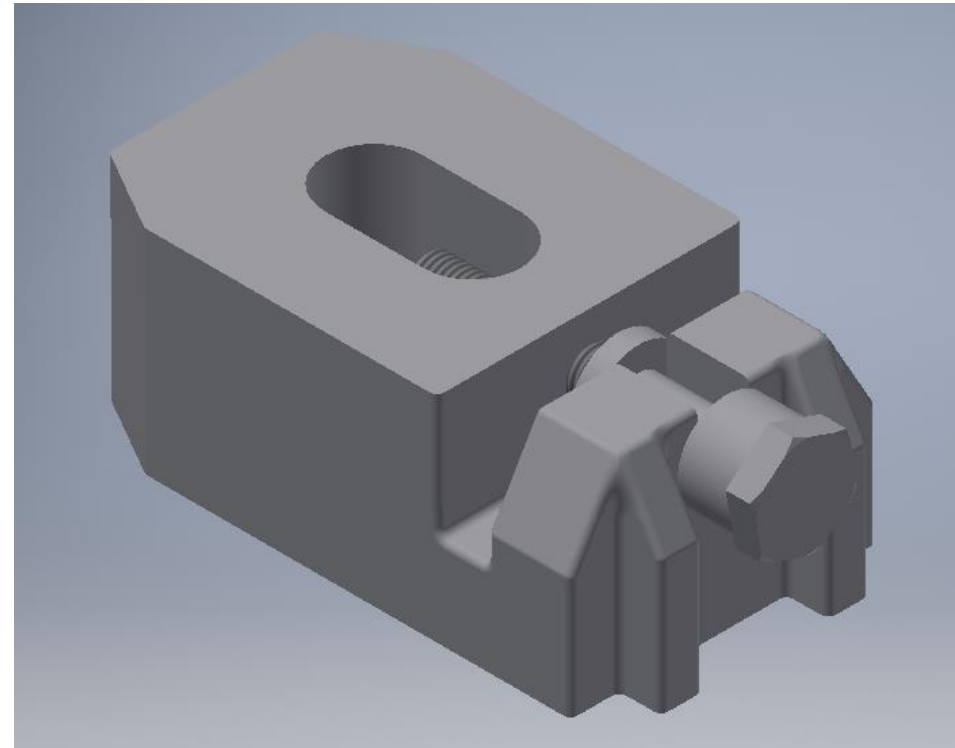
# INVENTOR

Inventor is a simple application that you can create different parts. This site also shows hidden lines when put into multiview perspective.



The screw in this part I assembled moves if you look at the part in the application.

Using inventor you can also create parts that move to stimulate how the part will actually work in real life.



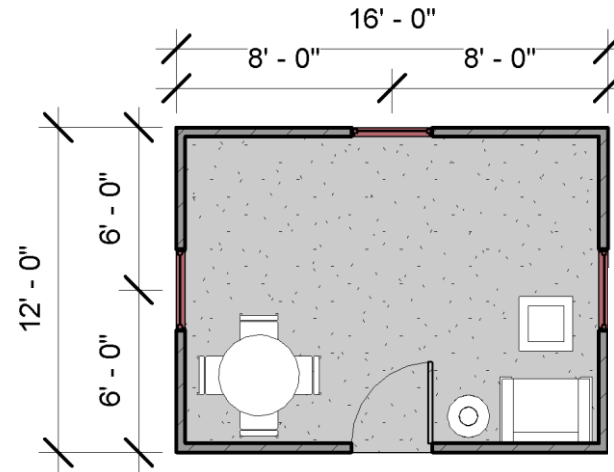
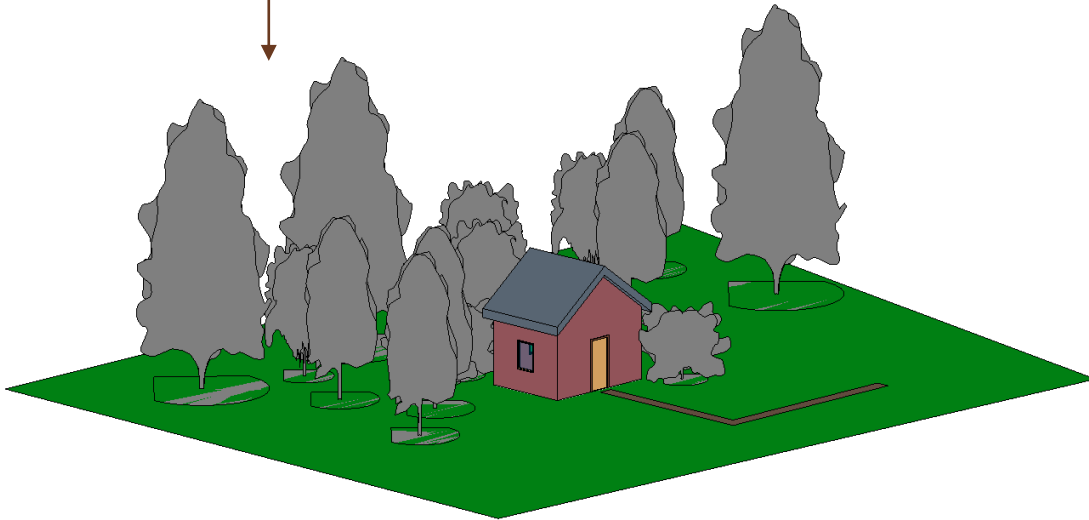


# REVIT

Revit or BIM is a computer software that can be used by architects to design 2D buildings and see in 3D.

Using the application you can also design interiors with furniture and exteriors with trees.

Exterior of shed I created



Interior of shed I created and designed with furniture and dimensions.

Floor plan showing trees on the exterior of the shed.

